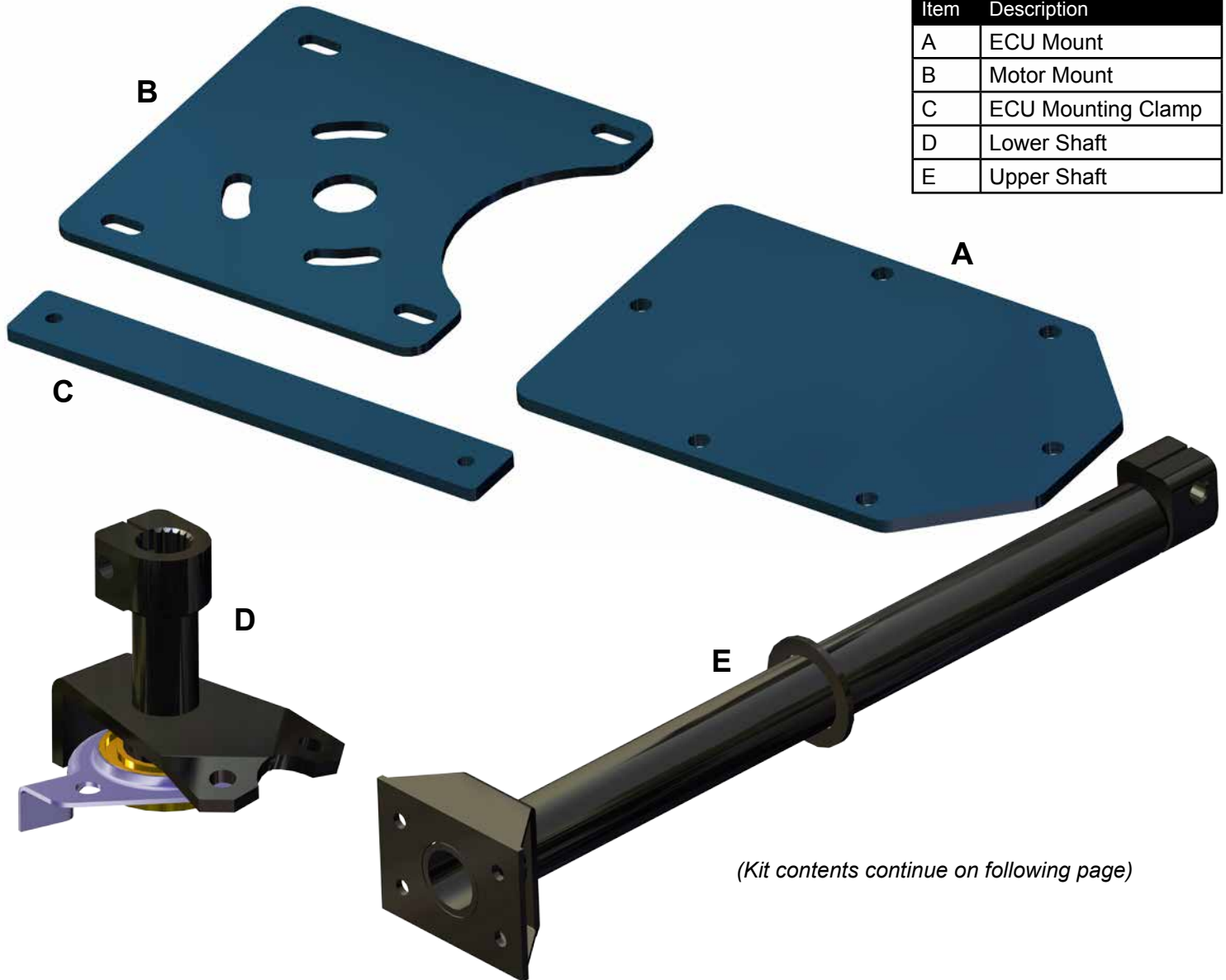


INSTALLATION INSTRUCTIONS
Power Steering Kit
 for Polaris Sportsman XP[®]

Item	Description
A	ECU Mount
B	Motor Mount
C	ECU Mounting Clamp
D	Lower Shaft
E	Upper Shaft



(Kit contents continue on following page)

Read instructions and view illustrations before beginning.

Need help with your installation?

✉ sales@superatv.com 🖥 www.superatv.com

☎ 1-812-574-7777 🕒 8:00am - 9:00pm EST M-Th
 8:00am - 7:00pm EST Friday
 9:00am - 2:00pm EST Saturday

*Thank You
 For Choosing*



Liability Statement
 SuperATV's[®] products are designed to best fit user's ATV/UTV under stock conditions. Adding, modifying, or fabricating any factory or aftermarket parts will void any warranty provided by SuperATV[®] and is not recommended. SuperATV's[®] products could interfere with other aftermarket accessories. If user has aftermarket products on machine, contact SuperATV[®] to verify that they will work together.

Although SuperATV[®] has thousands of satisfied customers, user should be aware that installing lift kits, long travel, or suspension kits, tires, etc. will change the ride of machine and may increase maintenance and part wear. Operating any off-road machine while, or after, consuming alcohol and/or drugs increases risk of bodily harm or death. No warranty or representation is made as to this product's ability to protect user from severe injury or death. SuperATV[®] urges operators and occupants to wear a helmet and appropriate riding gear at all times.

By purchasing and installing SuperATV[®] products, user agrees that should damages occur, SuperATV[®] will not be held responsible for loss of time, use, labor fees, replacement parts, or freight charges. SuperATV[®], nor any 3rd party, will not be held responsible for any direct, indirect, incidental, special, or consequential damages that result from any product purchased from SuperATV[®]. The total liability of seller to user for all damages, losses, and causes of action, if any, shall not exceed the total purchase price paid for the product that gave rise to the claim.

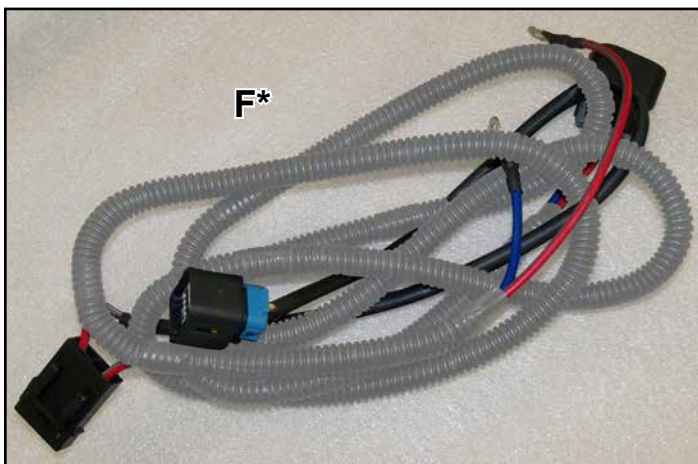
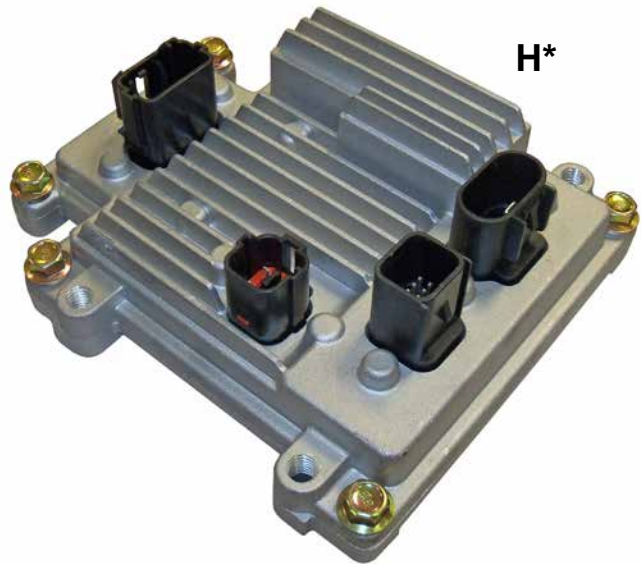
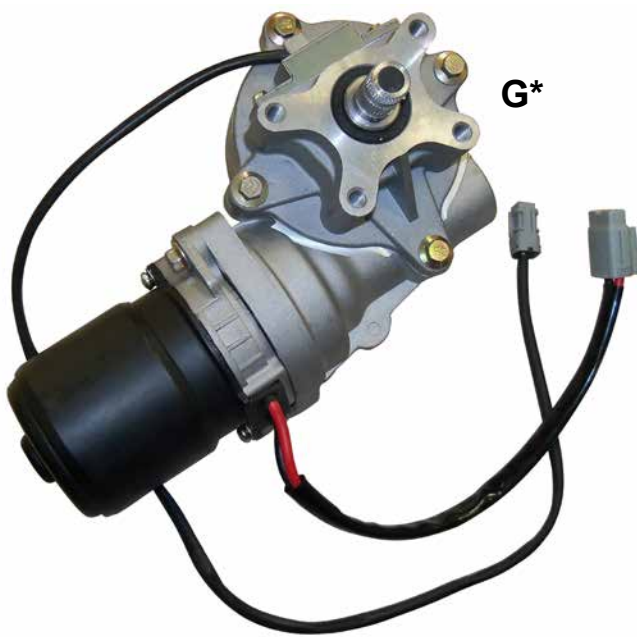
SuperATV[®] will warranty only parts provided by SuperATV[®]. Any damage or problems with OEM housings, bearings, seals, or other manufacturers' products will not be covered by SuperATV[®]. SuperATV[®] parts and products are not warranted if item was not installed properly, misused, or modified.

(Kit contents continued)

Item	Description	Qty
F	Wire Harness	1
G	Motor	1
H	ECU	1



(extra hardware may be present after installation; discard)



***Connections**

- Before installing, ensure that all Gaskets in electrical connections are properly seated.
- If Gaskets are not seated use a Flathead Screwdriver to seat.

Power Steering will provide multiple improvements to your machine. After installation, it is highly recommend to take time and learn your machines new handling characteristics and feel.

Key Recommendations:

1. Power Steering Benefits will be noticed as soon as machine is moving.
2. Handlebar will have more noticeable deflection while at rest. As a result of speed sensitive operation, this is normal.
3. Check steering sensitivity at multiple speeds to best understand new handling characteristics and feel.
4. Without Throttle input, turning Handlebar back and forth unnecessarily is not recommended. This action is very hard on remaining stock steering components, Tie Rod Ends, and Power Steering unit.

Like all SuperATV products, Power Steering kits were designed with riders in mind.

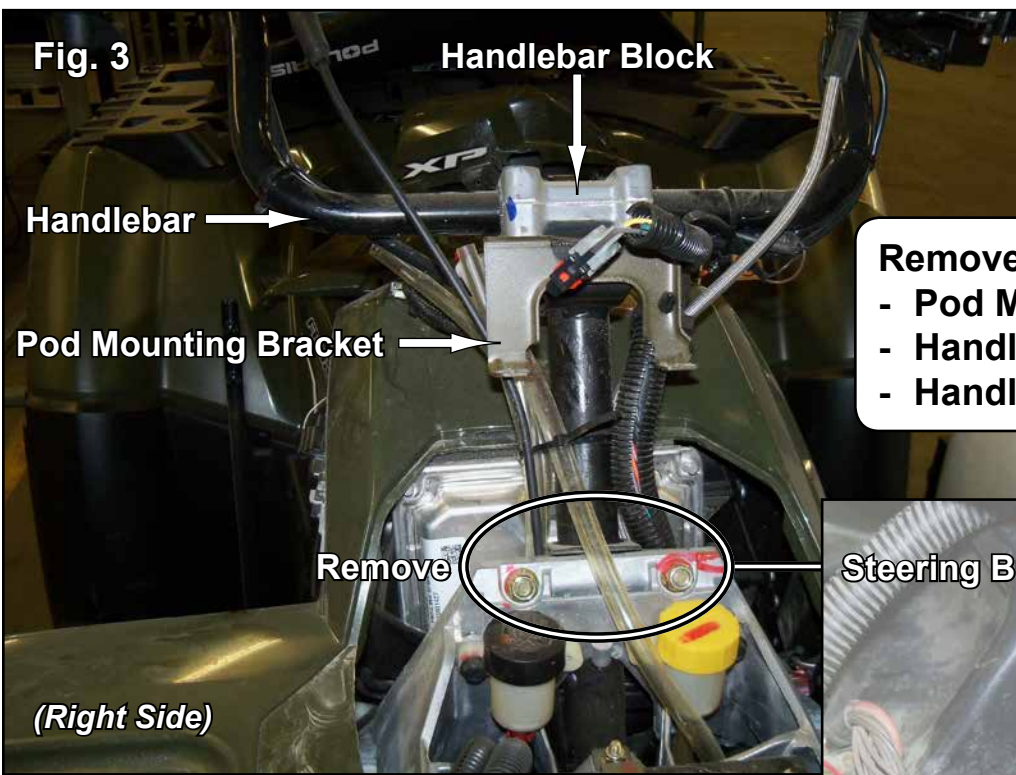
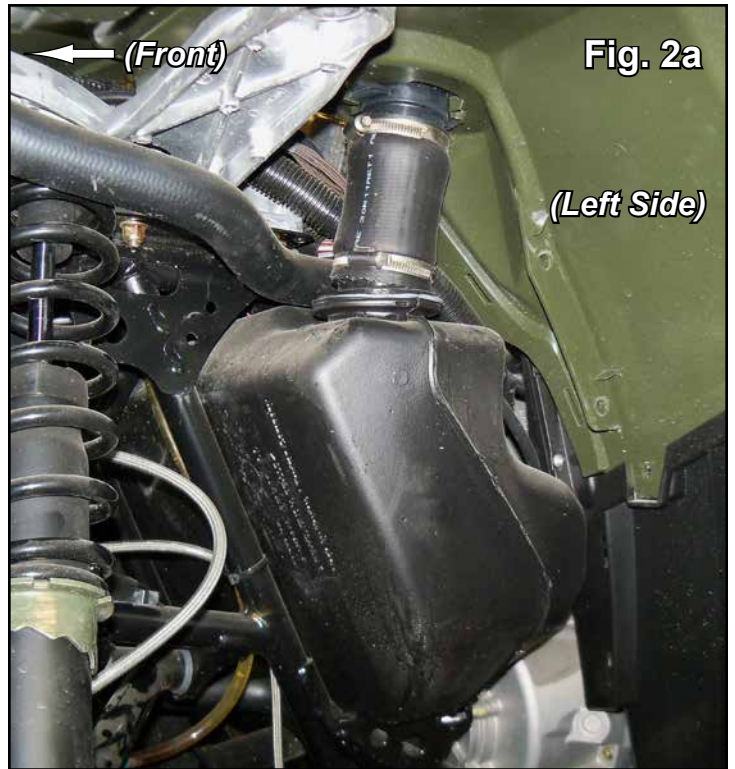
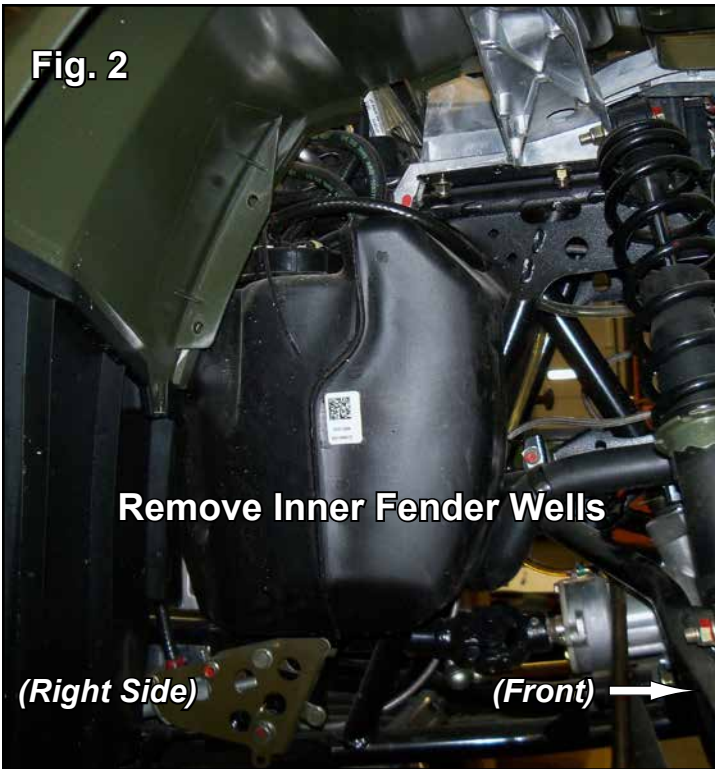


For reference, photographing of removal process is highly recommended due to amount of components being removed from machine.

Removal: *Keep all components removed from machine.*

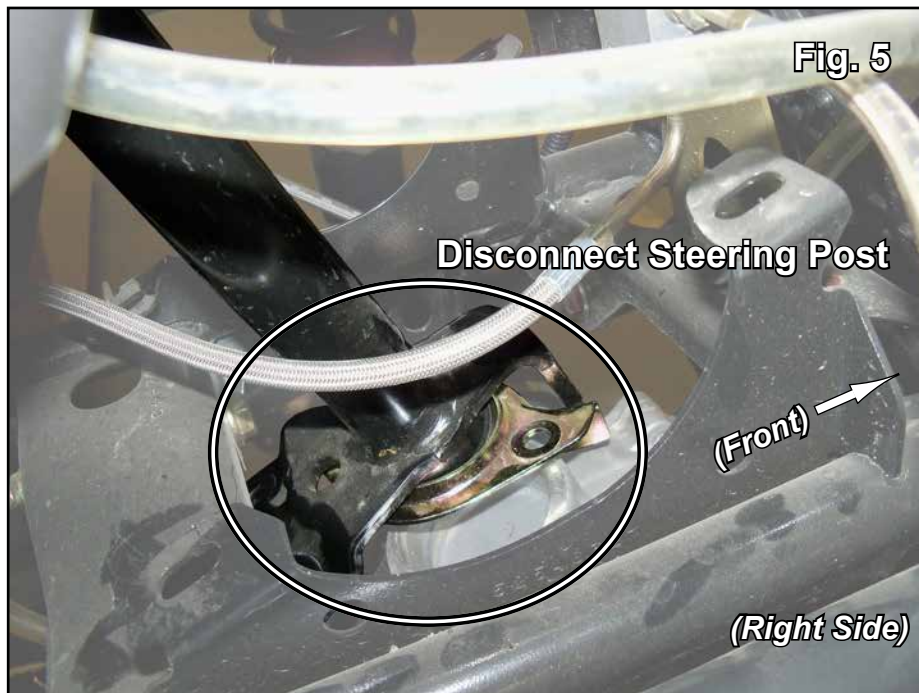
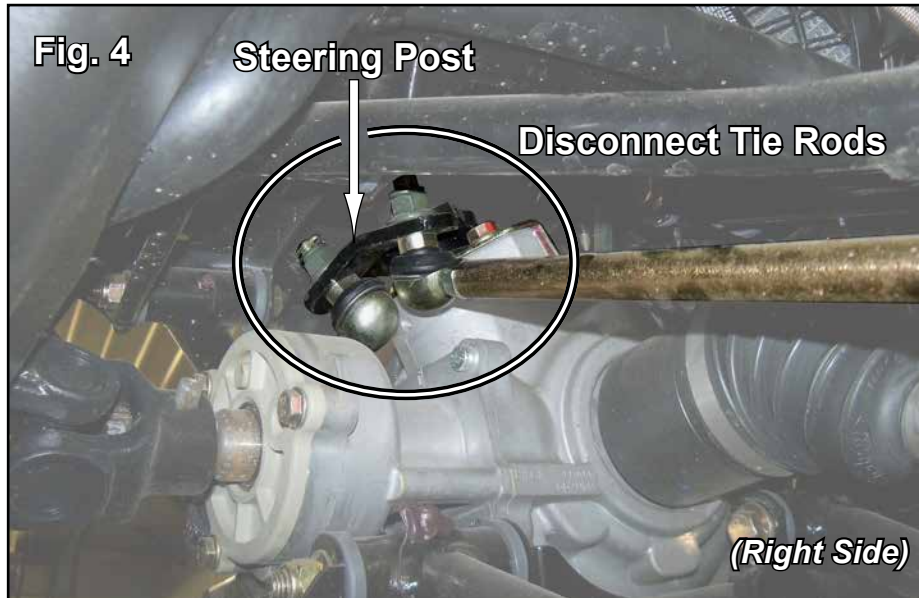
1. Remove Seat, Front Storage Rack, Headlight Pod, Side Panels, and Cover. See Fig. 1. Disconnect any Wire Harness' that may be present.
2. Remove Inner Fender Wells. See Figs. 2 - 2a.
3. Remove Handlebar Block, Pod Mounting Bracket, and Handlebar. Place Handlebar out of way. See Fig. 3.
4. Remove Steering Bushing. See Fig. 3.
5. Remove Tie Rods from Lower Steering Post. See Fig. 4.
6. Unbolt stock Lower Steering Post. See Fig. 5.
7. Remove Gas Tank; See Figs. 6 - 6b.
 - Disconnect connections from Fuel Pump. See Fig. 6a.
 - Remove hardware securing Gas Tank to Frame. See Figs. 6a - 6b.
8. Remove Steering Post. Fig. 7.

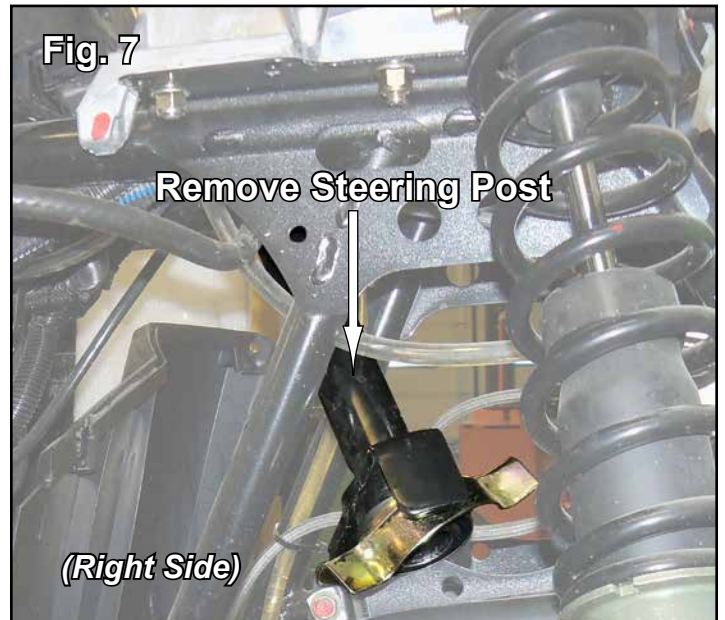
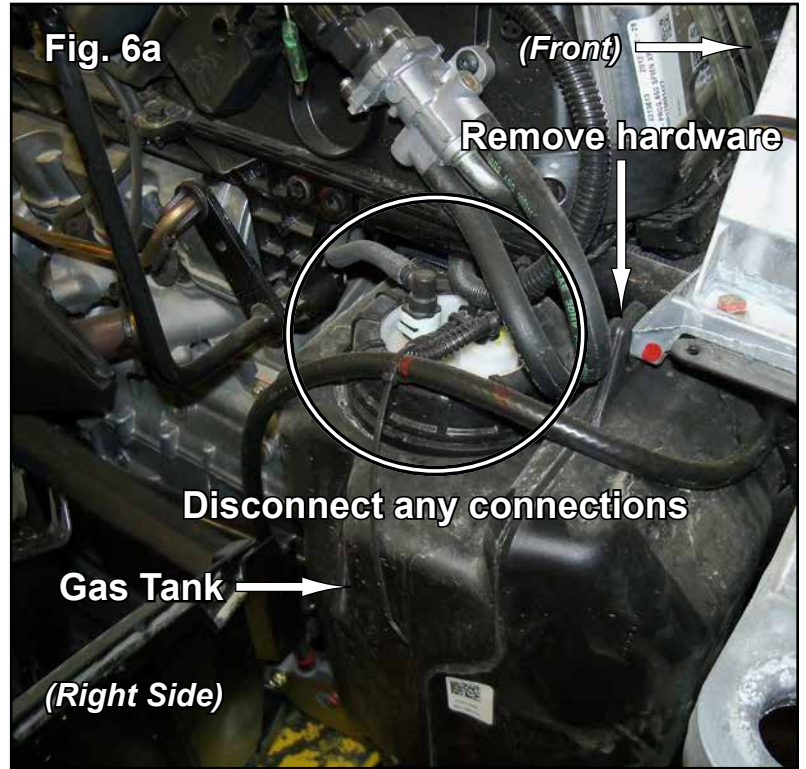




- Remove:**
- Pod Mounting Bracket
 - Handlebar Block
 - Handlebar







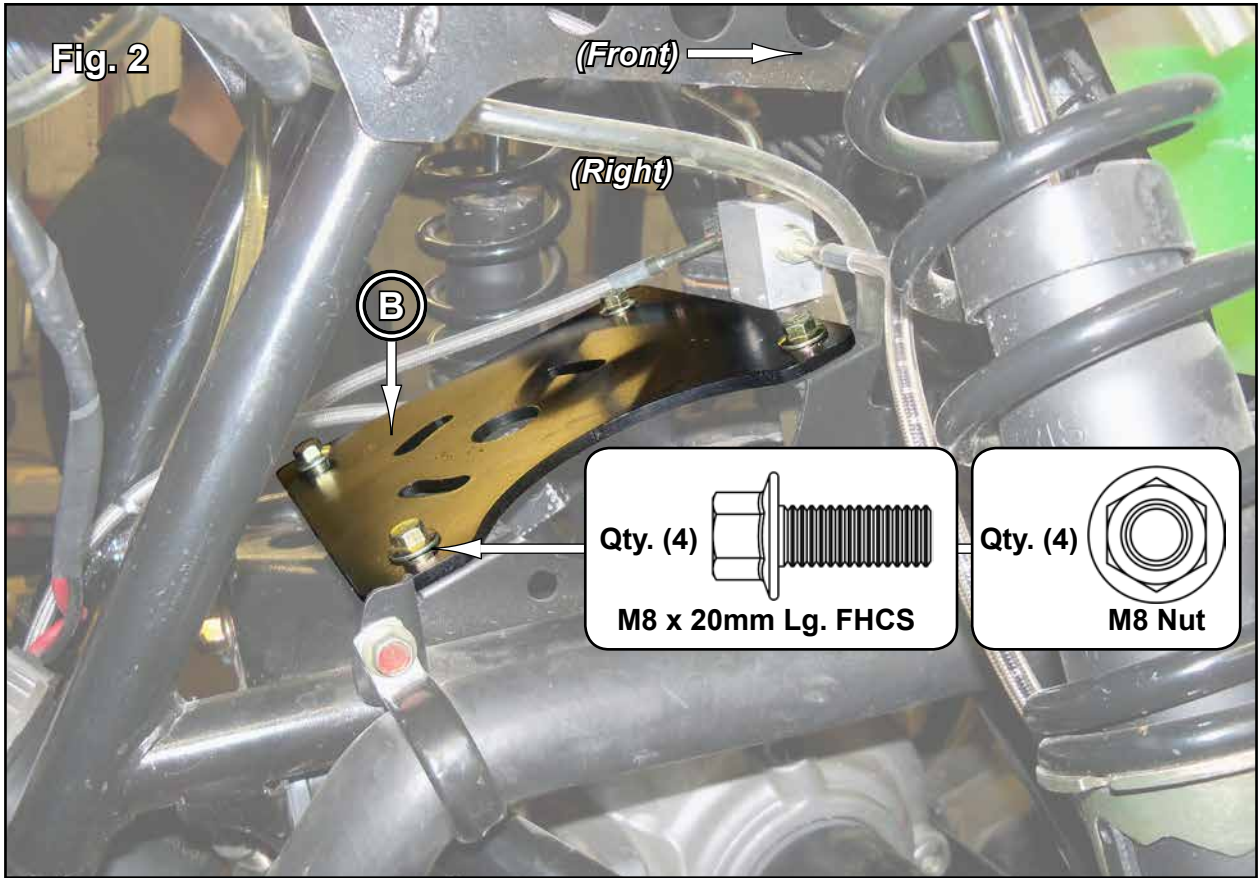
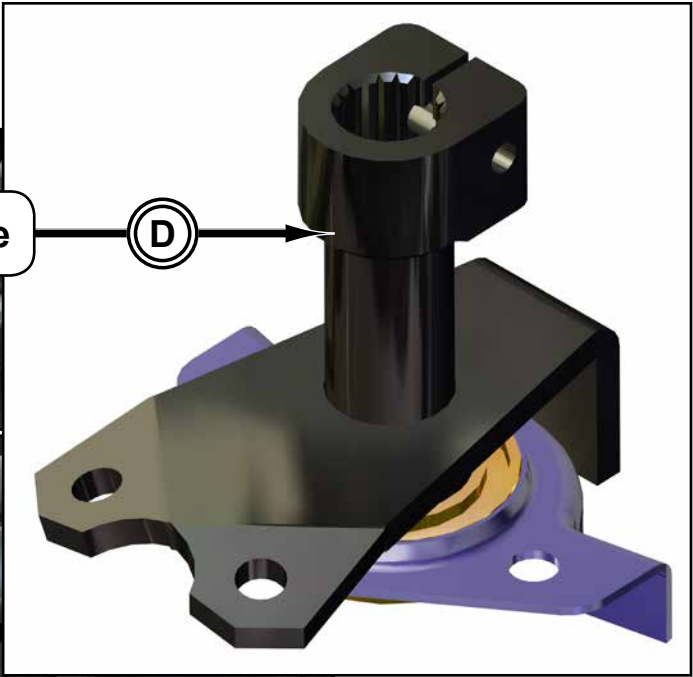
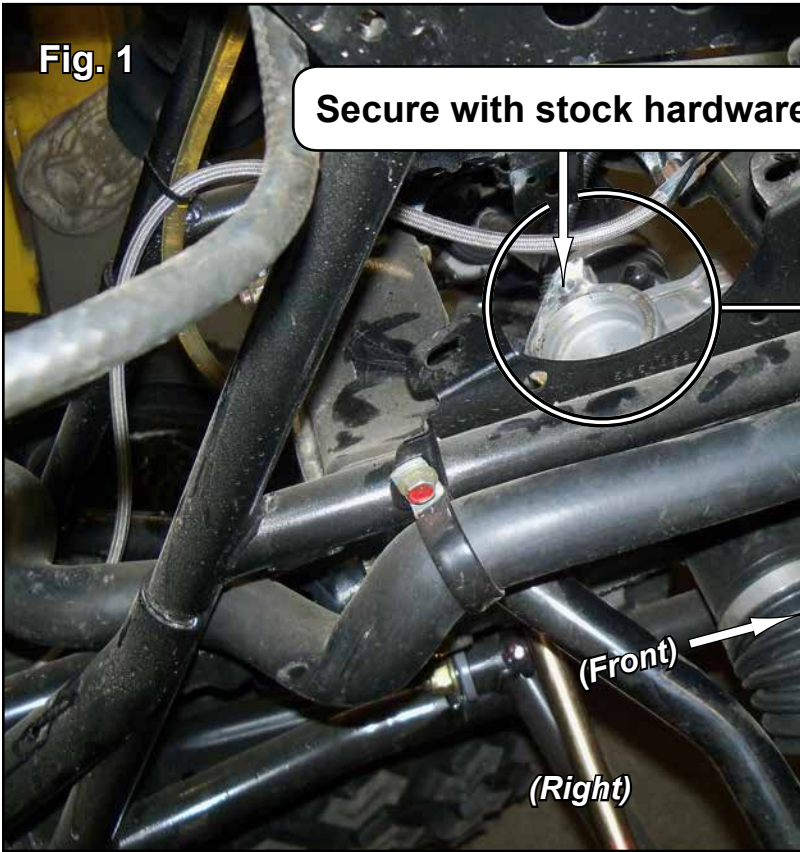
Installation: *Do not tighten hardware unless noted.*

1. Install Lower Shaft (D) to stock location. Secure with stock hardware. See Fig. 1.
2. Install Motor Mount (B) to Frame with M8-1.25 x 20mm Lg. FHCS and M8-1.25 Nylock Nuts. See Fig. 2.
3. Install Motor (G) onto Lower Shaft (D). Secure with provided hardware. See Motor Shafts Detail and Fig. 3.
4. Secure Motor Mount (B) and Motor (G) with M10-1.50 x 25mm Lg. FHCS. See Fig. 3.
5. Install Upper Shaft (E) to Motor (G) with provided hardware. See Figs. 4 - 4a.
6. Apply grease and install stock Steering Bushing to Upper Shaft (E). See Fig. 4a.
 - Secure Steering Bushing to Frame with stock hardware. See Fig. 4a.
7. Reinstall Tie Rods to Lower Shaft (D) with stock hardware. See Fig. 5.
8. Insert ECU Mounting Clamp (C) into Frame as shown in Fig. 6.
 - Secure ECU Mount (A) to ECU Mounting Clamp (C) with M8-1.25 x 20mm Lg. FHCS. See Fig. 6a.
 - Install ECU (H) to ECU Mount (A) with M8-1.25 x 25mm Lg. FHCS. See Fig. 6b.
 - Plug in Wire Harness (F) and plugs from Motor (G). Ensure wires have clearance between *all* components. Secure as needed.
 - Proceed to "Wire Details".
9. Reverse steps taken during "Removal" and reinstall necessary components with stock hardware.
 - Use stock hardware when reinstalling Handlebar Block, Pod Mounting Bracket, and Handlebar to Upper Shaft (E). See Fig. 7.

Handlebar and Tie Rods to be inline before tightening hardware. Remove Upper Shaft (E) from Motor (G) and realign if necessary.

10. Tighten all hardware completely.

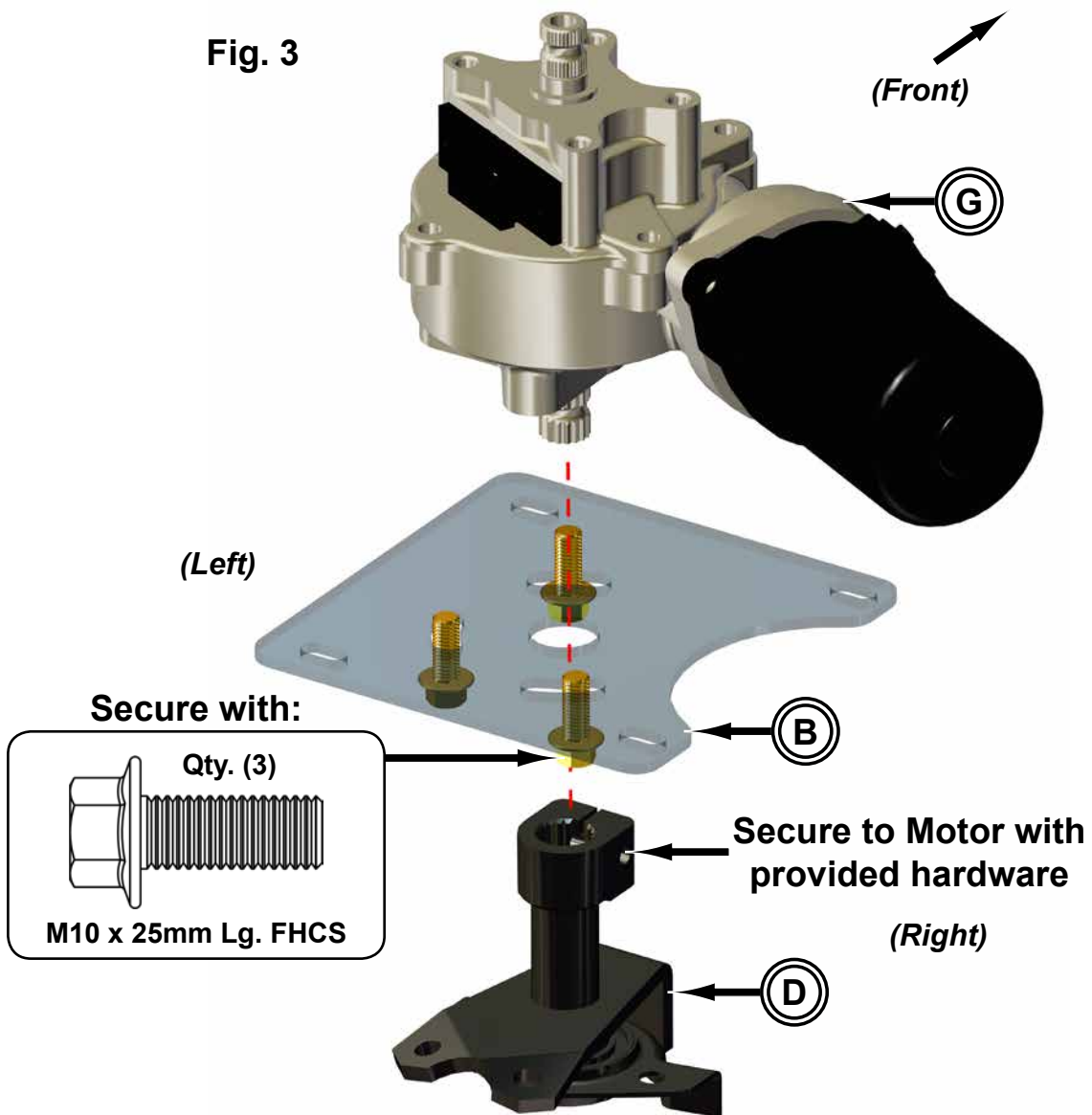
(installation illustrations on following pages)

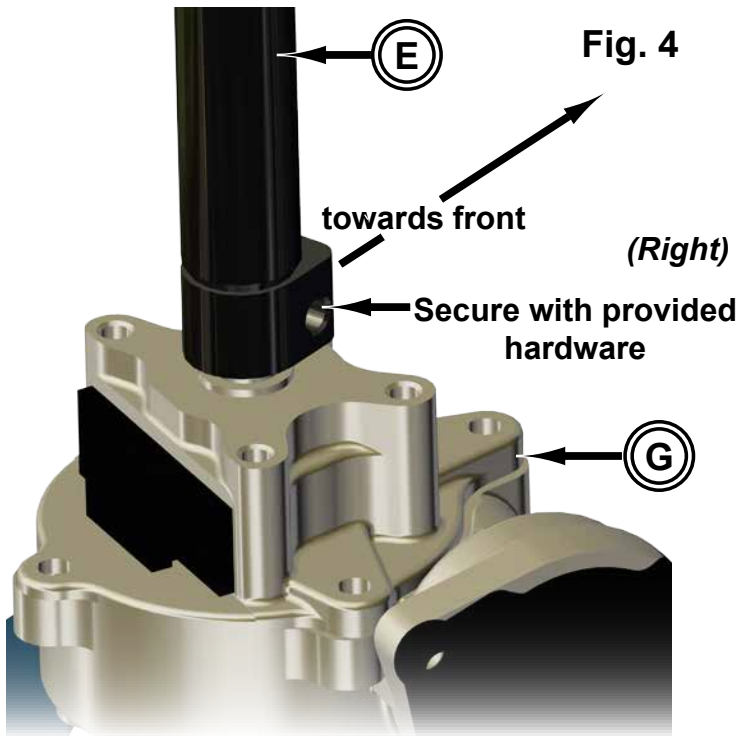


Motor Shafts Detail

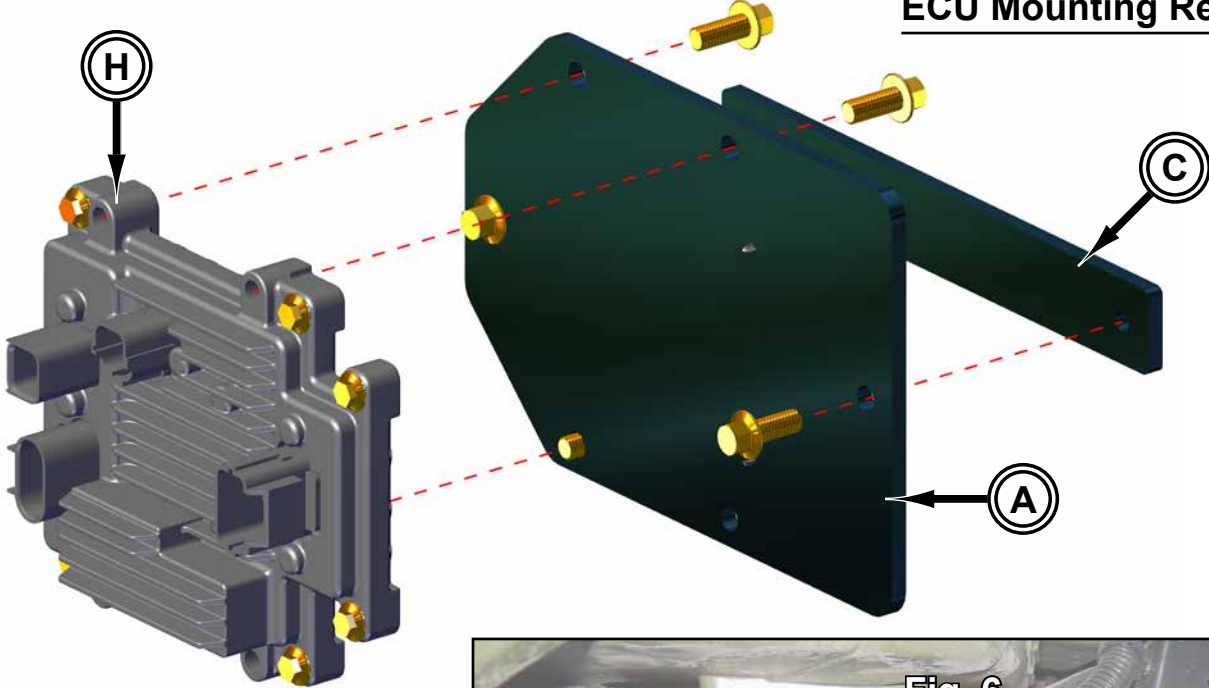


Fig. 3





ECU Mounting Reference



Secure components with:

Qty. (5)

M8 x 20mm Lg. FHCS

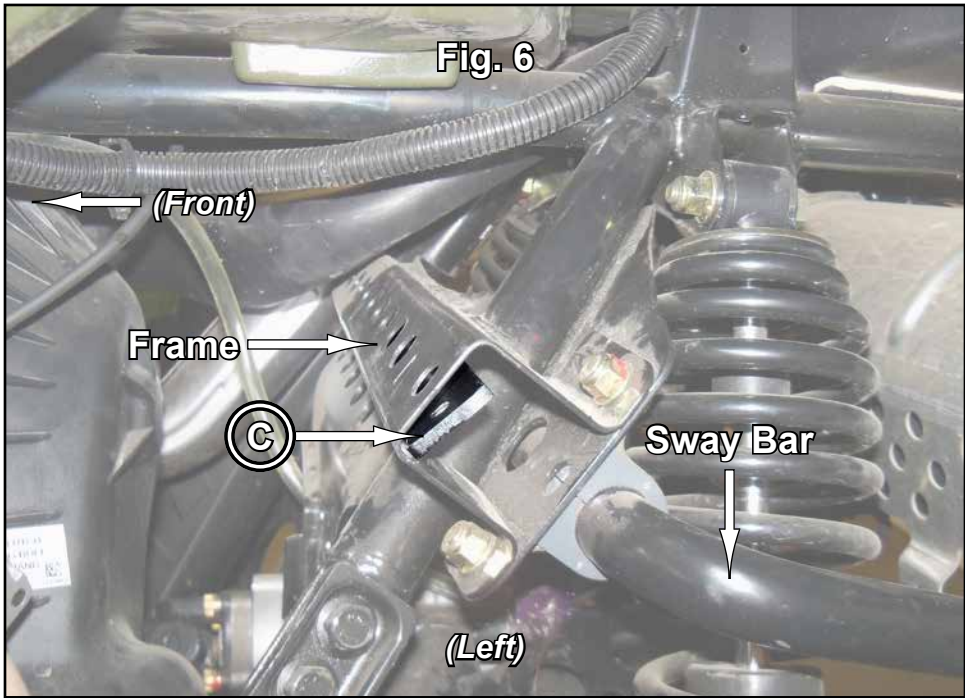


Fig. 6



Fig. 6a

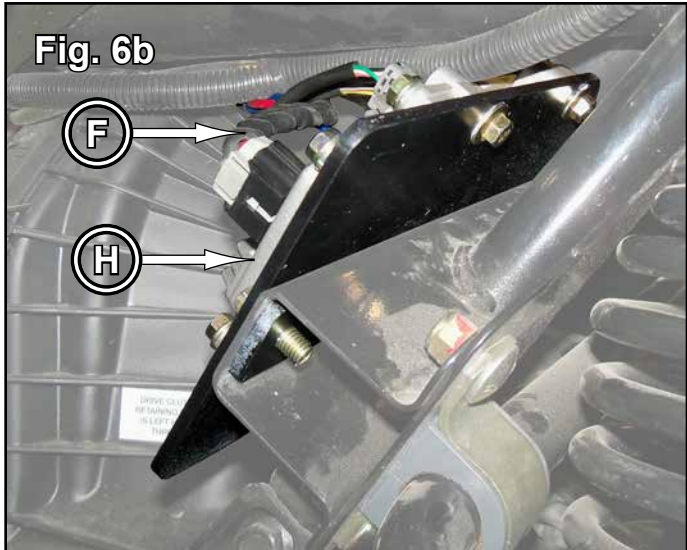
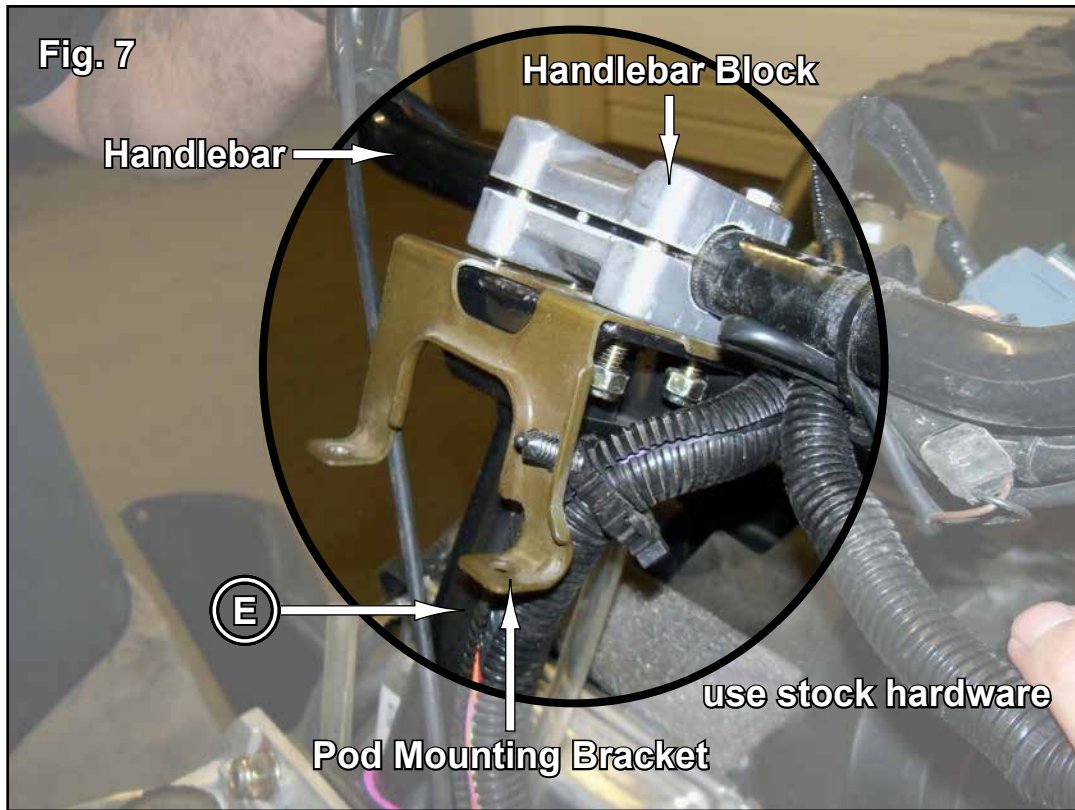


Fig. 6b



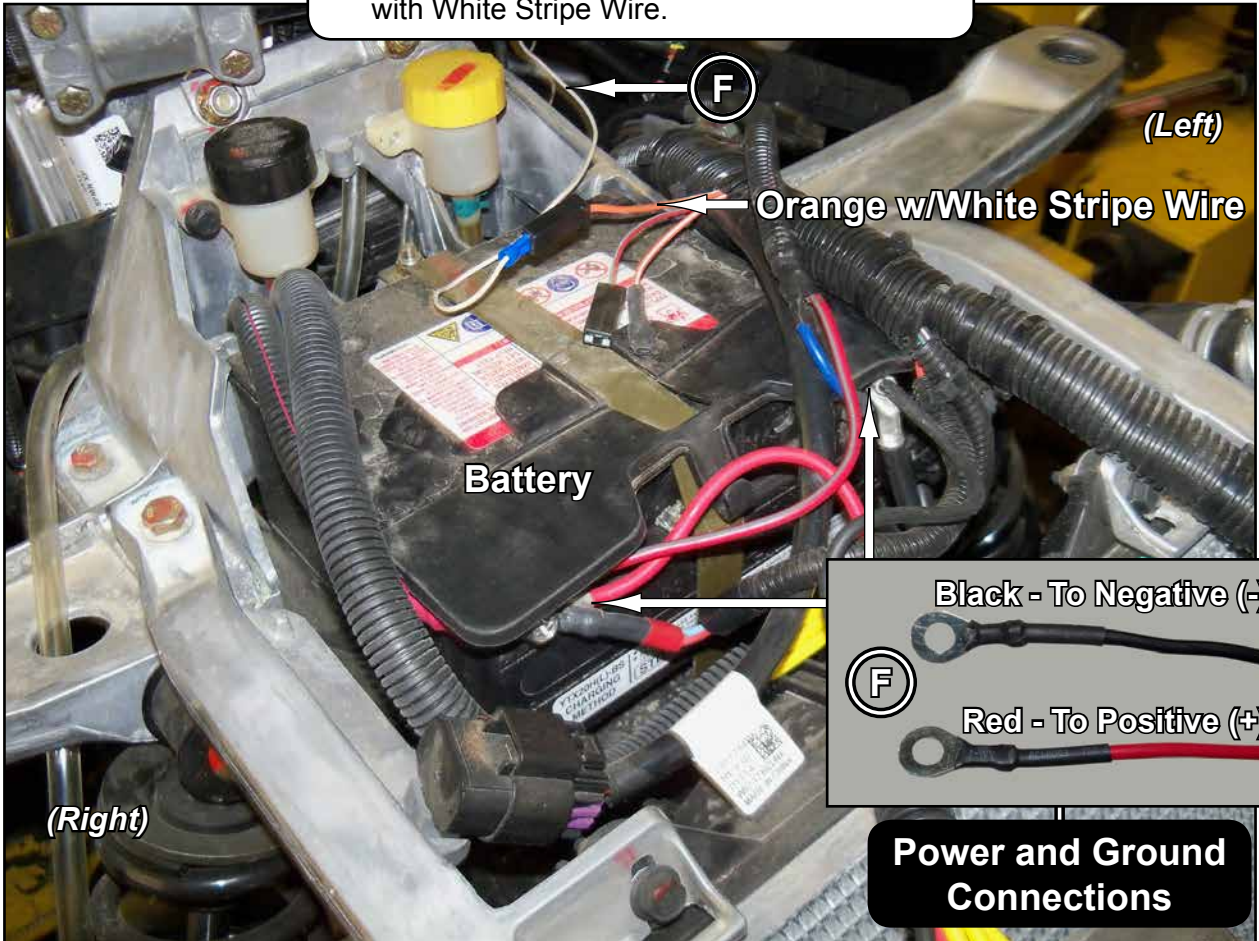
PARTS REFERENCE

Item	Description
A	ECU Mount
B	Motor Mount
C	ECU Mounting Clamp
D	Lower Shaft
E	Upper Shaft
F	Wire Harness
G	Motor
H	ECU

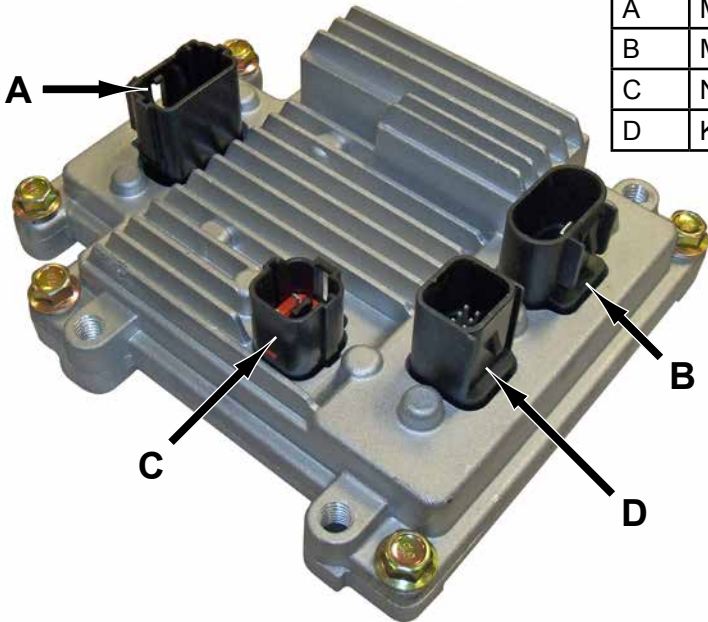
Wiring Details

Switched 12V Source (Key-On Power)

1. Locate stock Orange with White Stripe wires.
2. Connect White Wire (Switched 12V Source) from Wiring Harness (F) to (1) stock Orange with White Stripe Wire.

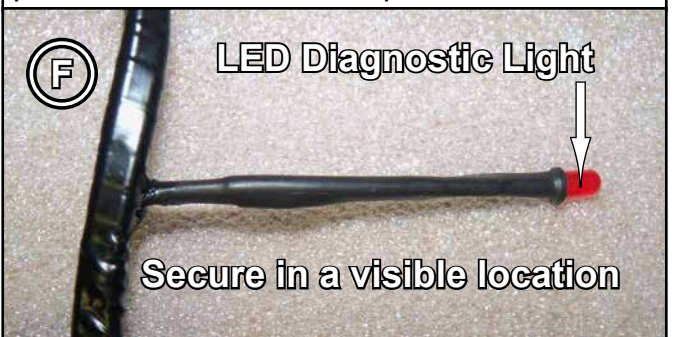


ECU Functions



Plug	Function
A	Motor
B	Main Power and Ground
C	Non-Contact Torque Sensor
D	Key-On Power, Speed Sensor Wire, and LED

When activated, LED Diagnostic Light will flash once for about 1 second before turning off indicating proper function. Should different patterns occur, contact SuperATV.



Wiring Details continued

Speed Sensor Connection

Soldering connection is recommended however, installer may use other forms of connecting.

1. Remove Right Rear Tire and locate stock harness containing Red with Green Stripe Wire.
2. Solder Blue Wire (Speed Sensor) from Wire Harness (F) to Red with Green Stripe Wire.
3. Wrap connection with electrical tape and secure Wire Harness (F) to Frame. Ensure that no interference occurs with Suspension, Drive Shaft, etc.

